



VN

铝电解电容器-贴片型

Aluminum electrolytic capacitor- SMD type

特点 Features

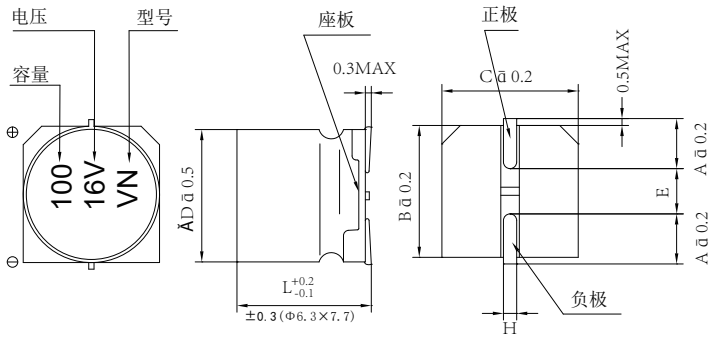
- 双极性。Bi-polar.
- 适用于再流焊。Reflow soldering is available.
- 适用于高密度表面组装。Available for high density surface mounting.
- RoHS指令已对应完毕。Adapted to the RoHS directive.



主要技术性能 Specifications

项目 Items	特性 Performance Characteristics						
工作温度范围 Operating Temperature Range	-40~+85°C						
额定电压范围 Rated Voltage Range	6.3~50V						
标称容量范围 Nominal Capacitance Range	0.1~100μF						
标称容量允许偏差 Capacitance Tolerance	±20% (20°C, 120Hz)						
漏电流 Leakage Current	I ≤ 0.05CRVR or 10(μA), 取较大者 (2分钟) CR: 标称容量 (μF) UR: 额定电压 (V) I ≤ 0.05CRVR or 10(μA) Whichever is greater (at 20°C, after 2 minutes) CR: Nominal Capacitance (μF) UR: Rated voltages (V)						
损耗角正切 (tgδ) Dissipation Factor (Max) 20°C, 120Hz	U _r (V)	6.3	10	16	25	35	50
	tgδ	0.26	0.22	0.20	0.20	0.20	0.18
耐久性 Load Life	+85°C施加额定电压1000小时后, 每250小时换向一次, 电容器应满足以下要求: After 1000 hours' application of rated voltage at 85°C, with the polarity inverted every 250 hours, the capacitor shall meet the following requirement:						
	电容量变化率 Capacitance Change	±20%初始值以内 Within ±20% of the initial value					
	损耗角正切 Dissipation Factor	≤ 200%初始规定值 Not more than 200% of the initial specified value					
	漏电流 Leakage Current	≤ 初始规定值 Not more than the initial specified value					
高温贮存 Shelf Life	+85°C贮存1000小时后, 加额定工作电压30分钟, 电容器应满足以上耐久性要求 After storage for 1000 hours at +85°C, UR to be applied for 30 minutes, the capacitors shall meet the requirement of load life above						
低温特性 Low Temperature Stability 阻抗比 Impedance Ratio (120Hz)	U _r (V)	6.3	10	16	25	35	50
	Z(-25°C)/Z(+20°C)	4	3	2	2	2	2
	Z(-40°C)/Z(+20°C)	8	6	4	4	3	3
耐焊接热 Resistance to Soldering Heat	在250°C的条件下, 电容器在热板上保持30秒, 然后从热板上取出电容器, 让其在室温下恢复, 电容器应满足以下要求: The capacitors shall be kept on the hot plate maintained at 250°C for 30 seconds. After removing from the hot plate and restored at room temperature, they meet the following requirement.						
	电容量变化率 Capacitance Change	±10%初始值以内 Within ±10% of the initial value					
	损耗角正切 Dissipation Factor	≤ 初始规定值 Not more than the initial specified value					
	漏电流 Leakage Current	≤ 初始规定值 Not more than the initial specified value					

外形图及尺寸表 Case Size Table



单位 Unit: mm

	4×5.4	5×5.4	6.3×5.4	6.3×7.7
A	1.8	2.1	2.4	2.4
B	4.3	5.3	6.6	6.6
C	4.3	5.3	6.6	6.6
E	1.0	1.3	2.2	2.2
L	5.4	5.4	5.4	7.7
H	0.5~0.8			

标称电容量、额定电压、额定纹波电流与尺寸对应表
Nominal Capacitance, Rated Voltage, Rated Ripple Current and Case Size Table

V μF	6.3		10		16		25		35		50	
	D×L mm	I~ mA	D×L mm	I~ mA	D×L mm	I~ mA	D×L mm	I~ mA	D×L mm	I~ mA	D×L mm	I~ mA
0.1											4×5.4	2.3
0.22											4×5.4	3.3
0.33											4×5.4	4.1
0.47											4×5.4	4.9
1.0											4×5.4	8.4
2.2									4×5.4	10	5×5.4	13
3.3							4×5.4	13	5×5.4	17	5×5.4	17
4.7					4×5.4	14	5×5.4	20	5×5.4	21	6.3×5.4	20
10			4×5.4	18	5×5.4	26	6.3×5.4	35	6.3×5.4	35	6.3×7.7	36
22	5×5.4	28	6.3×5.4	40	6.3×5.4	45	6.3×7.7	50	6.3×7.7	54		
33	6.3×5.4	37	6.3×5.4	50	6.3×5.4	55	6.3×7.7	61				
47	6.3×5.4	45	6.3×7.7	61	6.3×7.7	75						
100	6.3×7.7	82										

I~ = Rated ripple current (mA) (85°C, 120Hz) I~ = 额定纹波电流 (mA) (85°C, 120Hz)

额定纹波电流频率修正系数
Frequency correction factor for ripple current

Frequency 频率	50Hz	120Hz	300Hz	1KHz	≥10KHz
Coefficient 系数	0.70	1.00	1.17	1.36	1.50